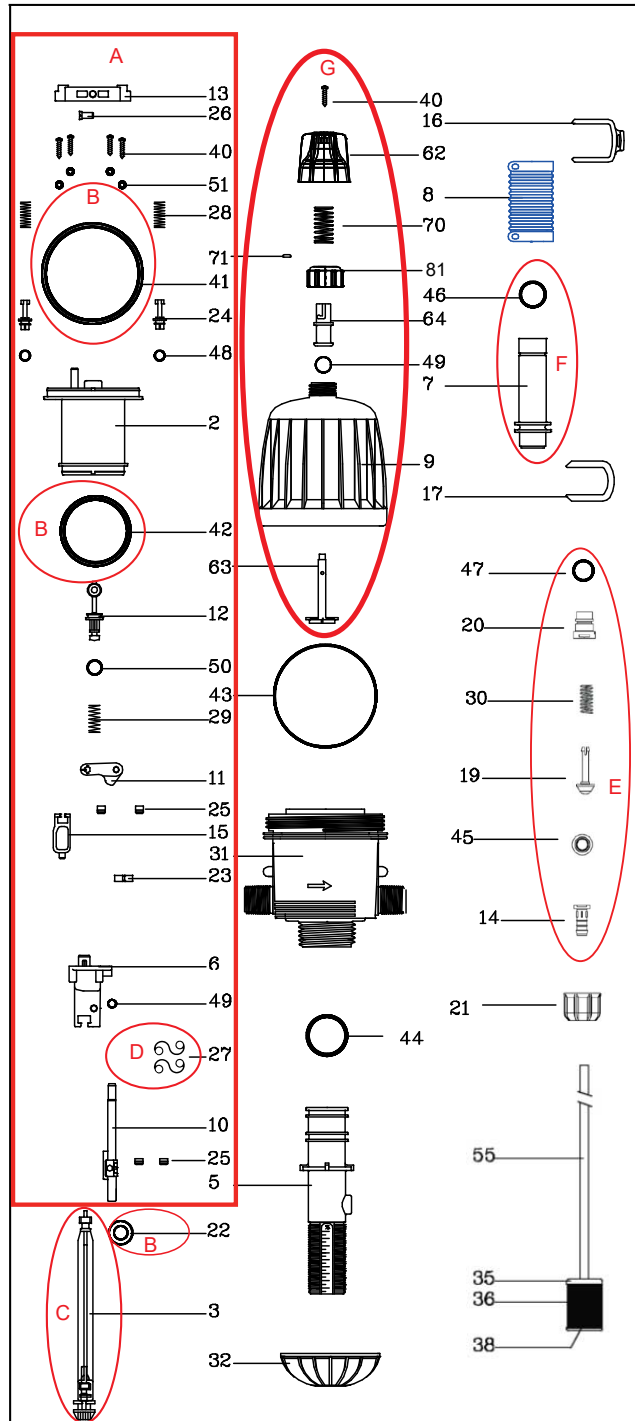




# 573 CW .4 to 4%



No.	Description	Kit/Part #
A	500 Series LFR Yellow Engine Replacement	3600000221
B	573 Lip Seal Kit, LFR, Yellow Engine	3600000205
	573 Lip Seal Kit, Old Unit	3600000031
C	573/ Connecting Bar and Piston, no o-ring	36008041103
D	Plastic Engine Spring Kit (includes 2 springs)	36000000191
E	Check Valve Kit	36000000258
F	MixRite 573 Chemical Cylinder Kit w/ O-ring	36000000173
G	500 Series Cover w/ ON/OFF	36300000044
5	Cylinder Support 4%, Laser Engraved, No Orings	36013042205
8	Blue Adjustment Sleeve	36007018508
16	500 Series upper U-latch, Chemical sleeve	36030167916
17	500 Series lower U-latch, chemical sleeve	36030168017
21	Check Vale Nut, black	36012013221
22	Chemical Piston Seal, Viton (Part of Lip Seal Kit)	38000032022
28	Hastelloy Uper Engine Spring (one each; send two per unit)	38060797528
31	MixRite Body, 500 Series Grey Body 3/4" NPT Threads	36030162231
38	Suction Filter, 10 MM Barb	36000000171
43	500 Series Dome/Cover Oring	38022430243
44	Aflas Oring #44; Cylinder Support O-ring (2 per unit)	38022205244
46	Aflas Oring #46, Chemical Cylinder 4% models	38022115146
49	Aflas Oring #49	38021095176
52	Aflas Oring #52	38021085175
55	3/8" ID Vinyl Chemical Tubing, fits 10MM barb	100.12L
NOT SHOWN	Mounting Bracket, 500 Series	36030162765
<b>Accessories</b>		
	Pressure Regulator	38030200001
	3/4" Inline Strainer	50.41.1
	Anti Siphon Valve	36073008002
	3/4" NPTF Check Valve	57.20.8
	3/4" NPTF PVC Ball Valve	93.180.2