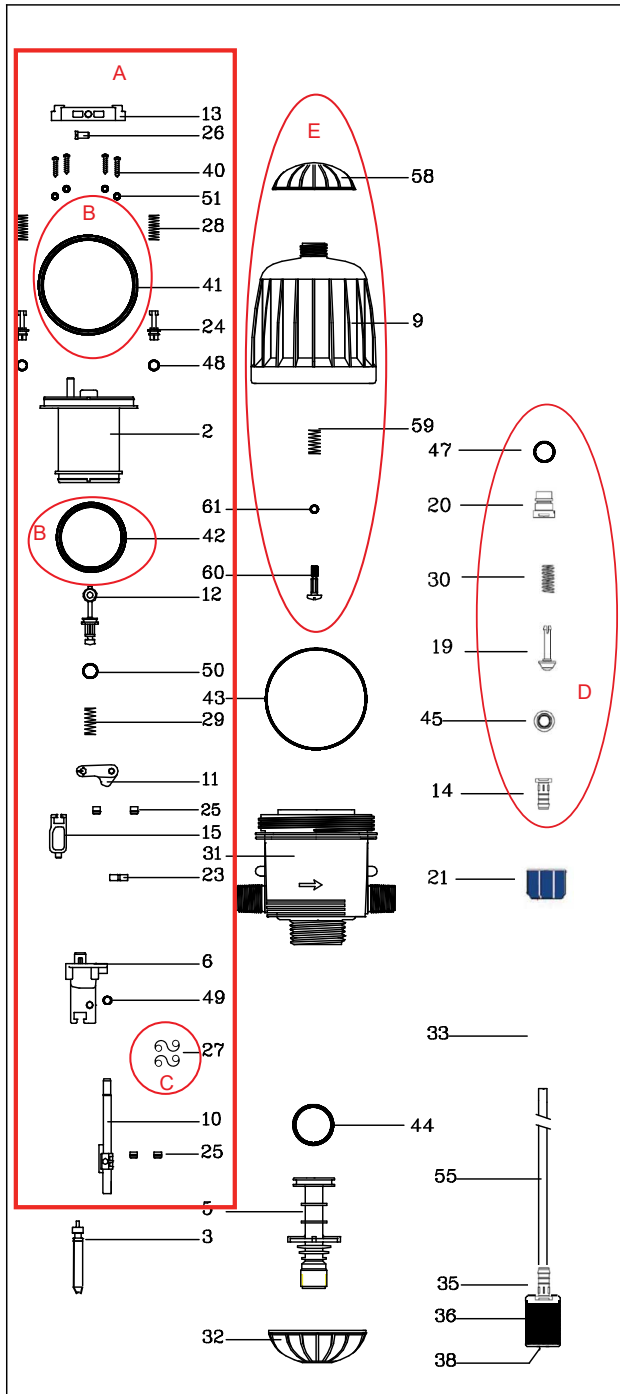




# 566 AG 1% Fixed



No.	Description	Kit/Part #
A	500 Series LFR Yellow Engine Replacement	36000000221
B	566AG Lip Seal Kit, LFR Yellow Engine, with piston seal	36000000204
C	Plastic Engine Spring Kit (includes 2 springs)	36000000191
D	Check Valve Kit	36000000258
E	500 Series, 14 Series Cover w/ Air release	36000000058
<b>Accessories</b>		
3	566AG Connecting Bar and Piston (one piece; no seal)	360100001103
5	566AG 1% Chemical Support Cylinder (No O-ring)	361000011205
21	Check Vale Nut, black	36012013221
22	Chemical Piston Seal, Viton (Part of Lip Seal Kit)	38000032022
28	Hastelloy Uper Engine Spring (one each; send two per unit)	38060797528
31	MixRite Body, 500 Series Grey Body 3/4" NPT Threads	36030162231
32	566-575 Large Nut, Cylinder Support Nut	36030161532
38	Suction Filter, 10 MM Barb	36000000171
43	500 Series Dome/Cover Oring	38022430243
44	Aflas Oring #44; Cylinder Support O-ring (1 per unit)	38003443244
55	3/8" ID Vinyl Chemical Tubing, fits 10MM barb	100.12L
Not Shown	Mounting Bracket, 500 Series	36030162765
<b>Accessories</b>		
	Pressure Regulator	38030200001
	3/4" Inline Strainer	50.41.1
	Anti Siphon Valve	36073008002
	3/4" NPTF Check Valve	57.20.8
	3/4" NPTF PVC Ball Valve	93.180.2