

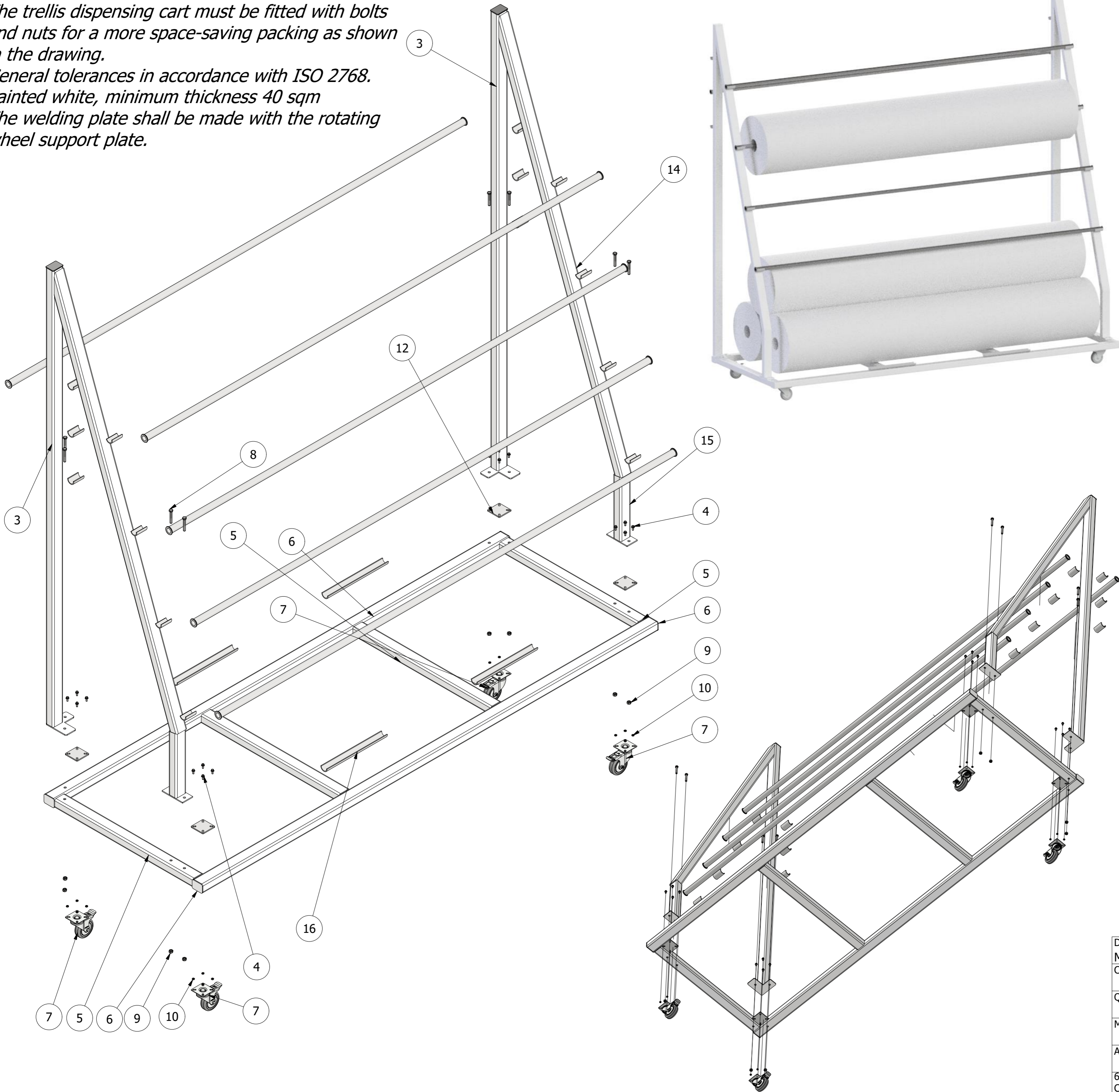
Technical information :

The trellis dispensing cart must be fitted with bolts and nuts for a more space-saving packing as shown in the drawing.

General tolerances in accordance with ISO 2768.


Painted white, minimum thickness 40 sqm

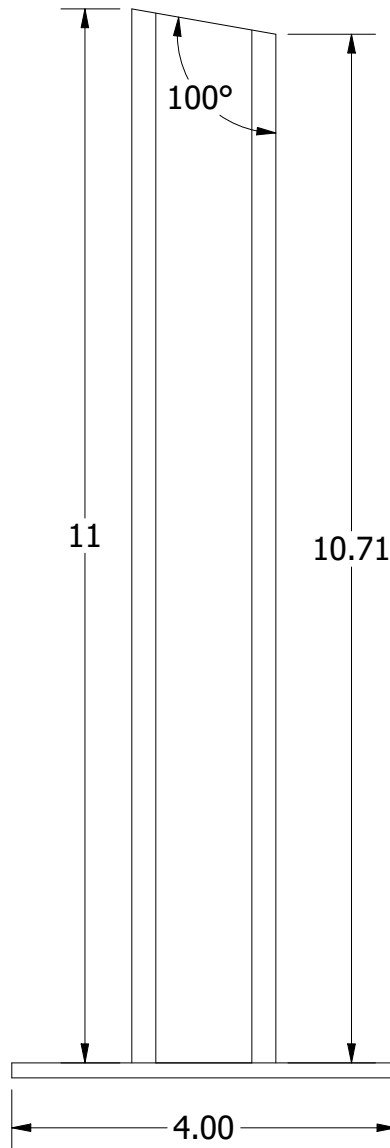
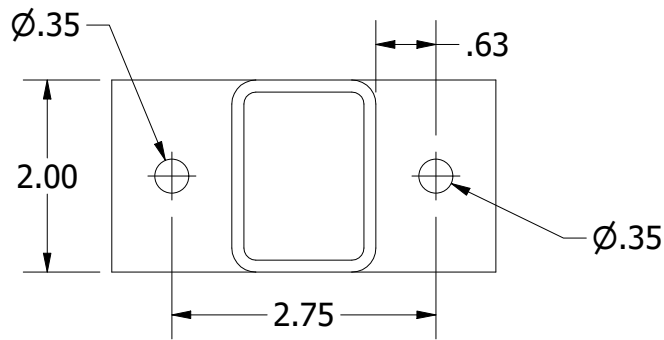
The welding plate shall be made with the rotating wheel support plate.




PARTS LIST			
ITEM	QTY	PART NUMBER	DESCRIPTION
3	2	AISC HSS - 2 x 1 1/2 x 1/8 - 77.478	Rectangular tube
4	16	ANSI B18.2.3.4M - M5 x 0.8x12	Hex Flange Screws
5	4	AISC HSS - 2 x 1 1/2 x 1/8 - 27	Rectangular tube
6	2	AISC HSS - 2 x 1 1/2 x 1/8 - 89	Rectangular tube
7	4	BDPE 0751 1001 P	STEP AP214
8	8	ANSI B18.2.1 - 5/16-18 UNC - 2, HCSI	Hex Cap Screw
9	8	Nut GB/T 6184 M8	Prevailing torque type all-metal hexagon nuts,
10	16	AS 1474 - M5	Hex Nut
12	4	Welding roller plate	
14	140.930 in	AISC HSS - 2 x 1 1/2 x 1/8 - 70.465	Rectangular tube
15	21.951 in	AISC HSS - 2 x 1 1/2 x 1/8 - 10.976	Rectangular tube
16	4	Small metal lip	
17	16	Welded U lips	
19	5	Rod	

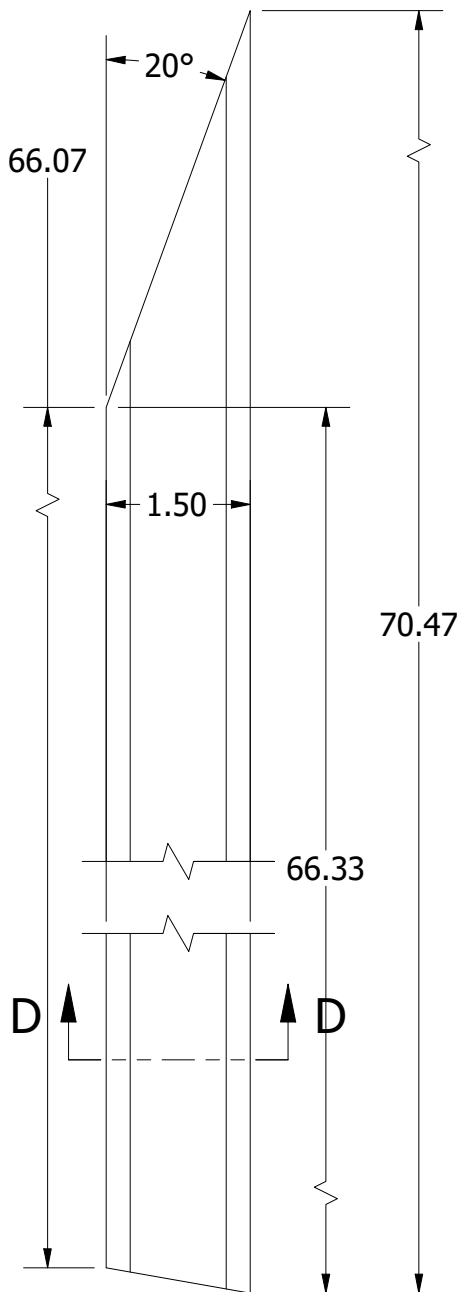


DRAWN Morr Inc. CHECKED	8/6/2023	
QA MFG APPROVED	Product name : Arable Acres A-Frame Trellis Dispensing Cart / Caster Wheels	
6500 Flotilla Street Commerce, CA 90040 855-TRY-MORR sales@MORR.com	SIZE A2	DWG NO REV
SCALE 1 / 10	SHEET 1 OF 7	

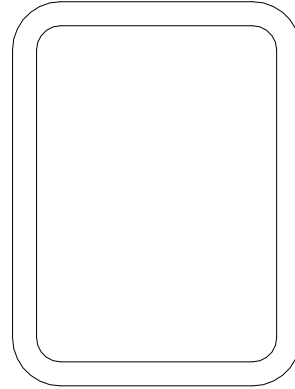


Vertical rectangular frame - 1. - 2 pieces


DRAWN Morr Inc.	8/6/2023			
CHECKED				
QA		Product name :		
MFG		Arable Acres A-Frame Trellis Dispensing Cart / Caster Wheels		
APPROVED		SIZE	DWG NO	REV
6500 Flotilla Street Commerice, CA 90040 855-TRY-MORR sales@MORR.com		A4		
		SCALE	1 / 2	SHEET 3 OF 7

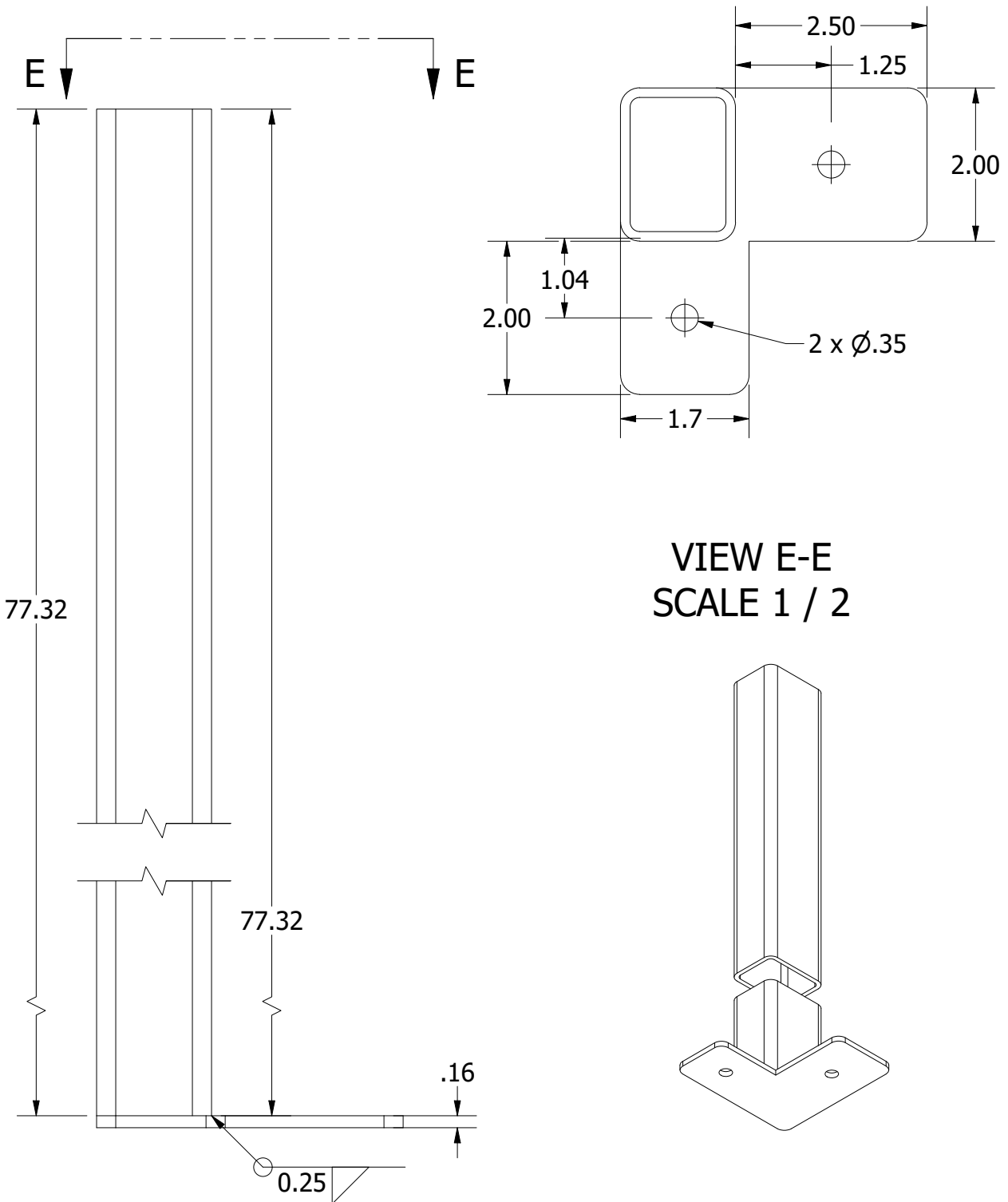


VIEW D-D
SCALE 1 / 1




Vertical rectangular frame - 2. - 2 pieces

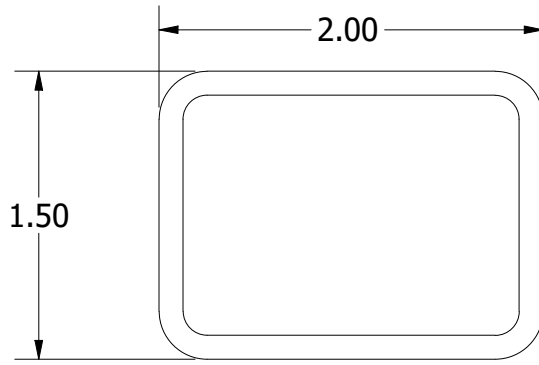
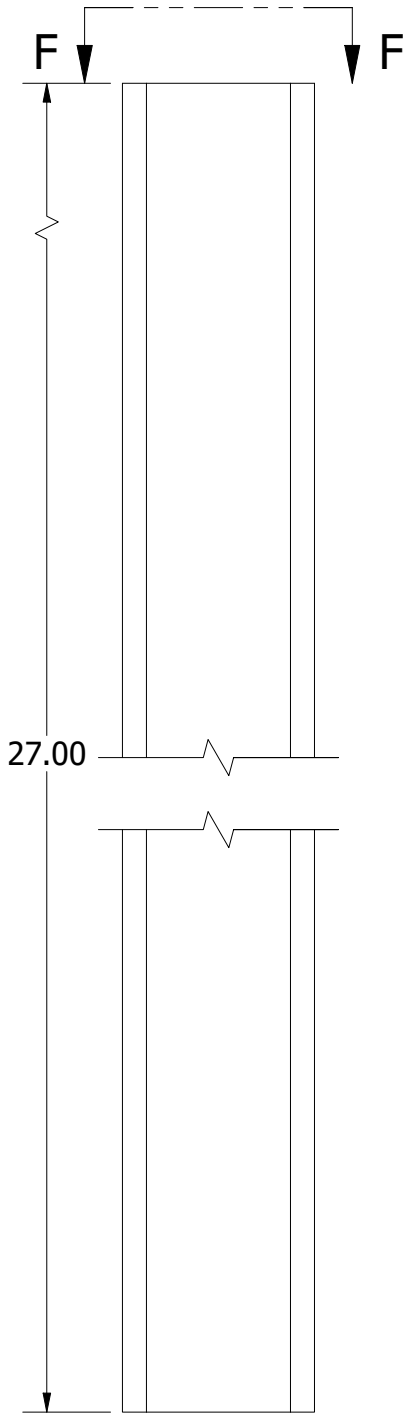
DRAWN Morr Inc.	8/6/2023		
CHECKED			
QA			
MFG			
APPROVED		Product name : Arable Acres A-Frame Trellis Dispensing Cart / Caster Wheels	
6500 Flotilla Street Commerice, CA 90040 855-TRY-MORR sales@MORR.com	SIZE A4	DWG NO	REV
	SCALE 1 / 2	SHEET 4 OF 7	



VIEW E-E
SCALE 1 / 2


Vertical rectangular frame - 3. - 2 pieces

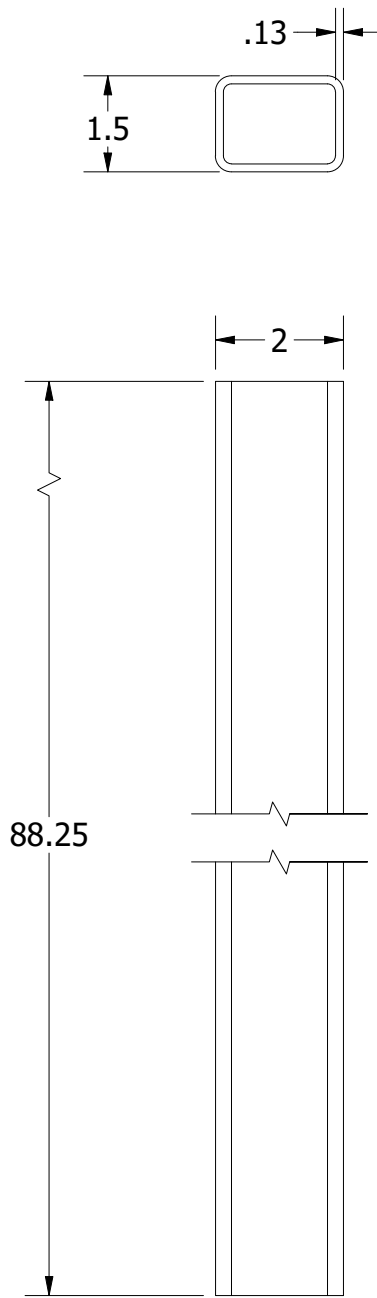
DRAWN Morr Inc.	8/6/2023			
CHECKED				
QA		Product name :		
MFG		Arable Acres A-Frame Trellis Dispensing Cart / Caster Wheels		
APPROVED		SIZE	DWG NO	REV
6500 Flotilla Street Commerce, CA 90040 855-TRY-MORR sales@MORR.com		A4		
		SCALE	1 / 2	SHEET 5 OF 7




VIEW F-F
SCALE 1 / 1

Horizontal rectangular frame - 5. - 4 pieces

DRAWN Morr Inc.	8/6/2023		
CHECKED			
QA		Product name :	
MFG		Arable Acres A-Frame Trellis Dispensing Cart / Caster Wheels	
APPROVED		SIZE	DWG NO
6500 Flotilla Street Commerice, CA 90040 855-TRY-MORR sales@MORR.com		A4	REV
		SCALE	SHEET 6 OF 7
		1 / 2	



Horizontal rectangular frame - 6. - 4 pieces

DRAWN Morr Inc.	8/6/2023			
CHECKED				
QA		Product name :		
MFG		Arable Acres A-Frame Trellis Dispensing Cart / Caster Wheels		
APPROVED		SIZE	DWG NO	REV
6500 Flotilla Street Commerice, CA 90040 855-TRY-MORR sales@MORR.com		A4	Rectangular frame - 6	
		SCALE	1 / 3	SHEET 7 OF 7