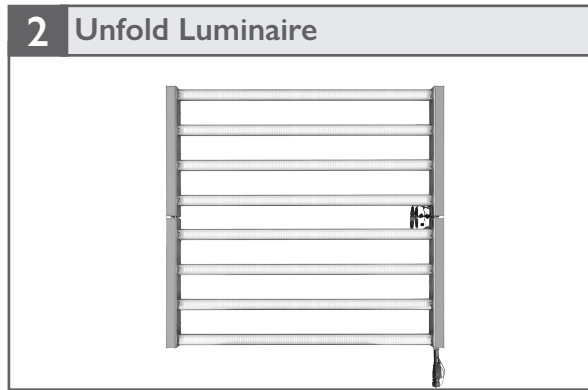
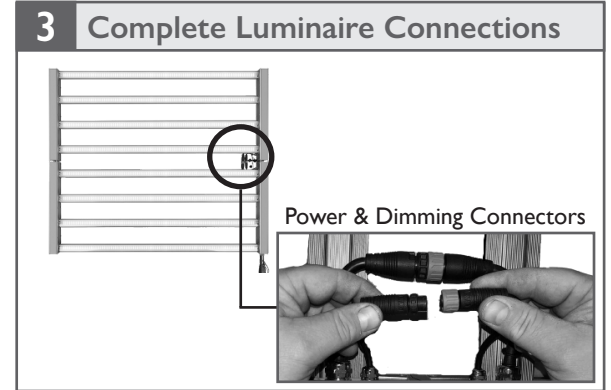


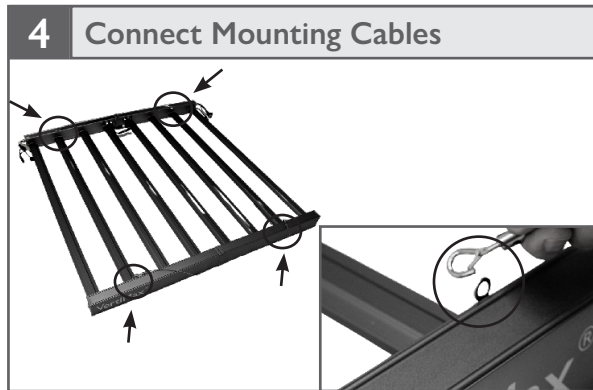
- A** Folded Vertimax Luminaire
- B** AC Daisy-Chain Connector Cable
- C** Dimming Daisy-Chain Connector Cable
- D** AC Power Cord with Whip End
- E** Dimming Cord with Whip End
- F** Mounting Cables (x2)



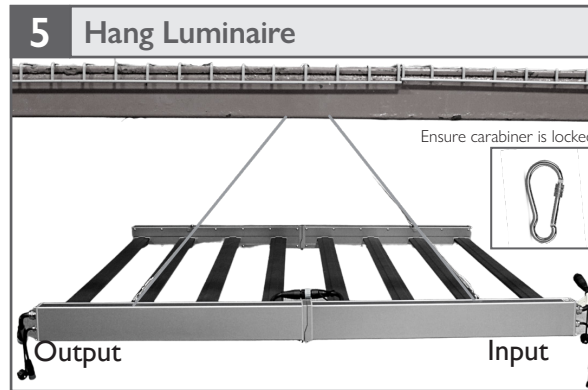
- Turn off and lock out the branch circuit before commencing installation or maintenance work.
- With two (2) people, gently unfold luminaire on a soft surface by folding it open until flat.
- Have LEDs facing downwards.



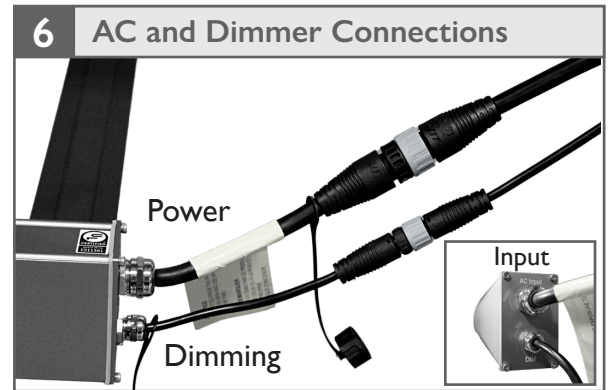
- Align open ends of two power connectors in center of luminaire.
- Push and click connectors together so that connectors are fully engaged.
- Repeat with dimming connectors.



- Connect both steel mounting cables to luminaire by hooking them to the four (4) positions shown above.



- With two people supporting either end of luminaire move Vertimax to desired location.
- Connect carabiner clips installed on both steel mounting cables to racking, or use customer supplied S-hooks.
- Twist thumb lock to "locked" position to ensure carabiners are fully secured.

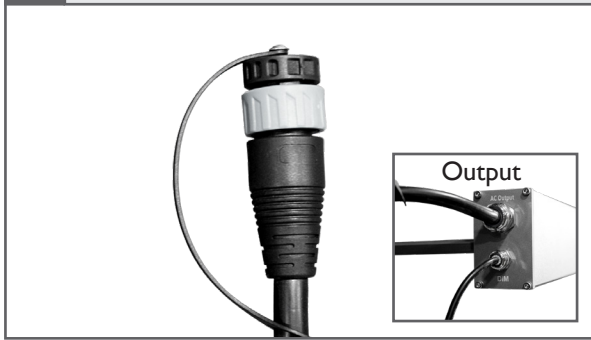


- Connect whip end of AC power cord to power supply.
- Push and click open ends of connectors on luminaire power input cable and AC power cord to complete power connection.
- Repeat with 1-10V dimming cord to connect.

1 **ATTENTION: Install in accordance with national and local building and electrical codes.** **1**

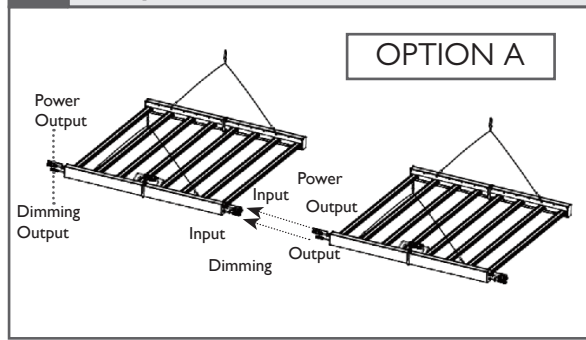


6a Cap Ends



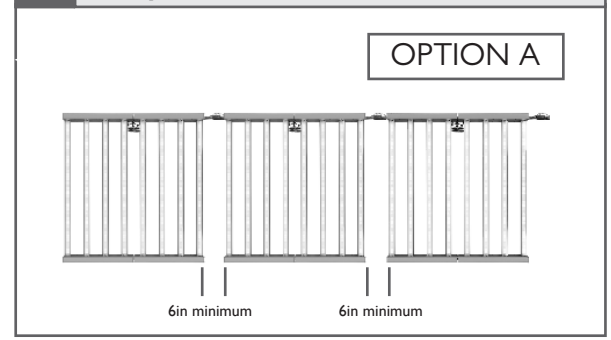
- Ensure connector caps are firmly engaged in output cable connectors at opposite end of luminaire to ensure safe operation and IP integrity.
- Caps should ONLY be removed if luminaire is connected to another for daisy chaining.

7 Daisy-Chain Luminaires (Longitudinal)



- Connect first luminaire to power supply and control system, per step 6.
- Press and snap together power and dimming connectors on output cables of first luminaire with power and dimming connectors on input cables of second luminaire. Repeat with remaining luminaires in string.
- Ensure connector caps are firmly engaged in output cable connectors of last luminaire in daisy-chain string.

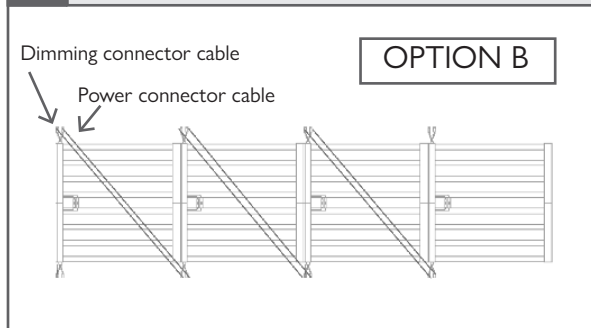
7a Daisy-Chain Luminaires (Longitudinal)



- When luminaires are in a longitudinal orientation, the distance between each consecutive luminaire must be a minimum of 6 inches

Note: Refer to table below for maximum number of luminaires that can be daisy-chained based on your voltage.

7b Daisy-Chain Luminaires (Transverse)



- Connect first luminaire to power supply and control system, per step 6.
- Press and snap together power connector on output cable of first luminaire with corresponding connector AC daisy-chain connector cable.
- Press and snap together remaining open connector on opposite end of AC daisy-chain connector cable with connector on power input cable of second luminaire.
- Connect dimming from first luminaire to the second luminaire in the same way using dimming daisy-chain connector cable
- Repeat with remaining luminaires in string.
- Ensure connector caps are firmly engaged in output cable connectors of last luminaire in daisy-chain string.

Note: Refer to table for maximum number of luminaires that can be daisy chained based on your voltage.

Voltage	Max # Luminaires in Daisy-Chain
120V	2 luminaires
240V	4 luminaires
277V	5 luminaires
347V	4 luminaires
400V	5 luminaires
480V	6 luminaires